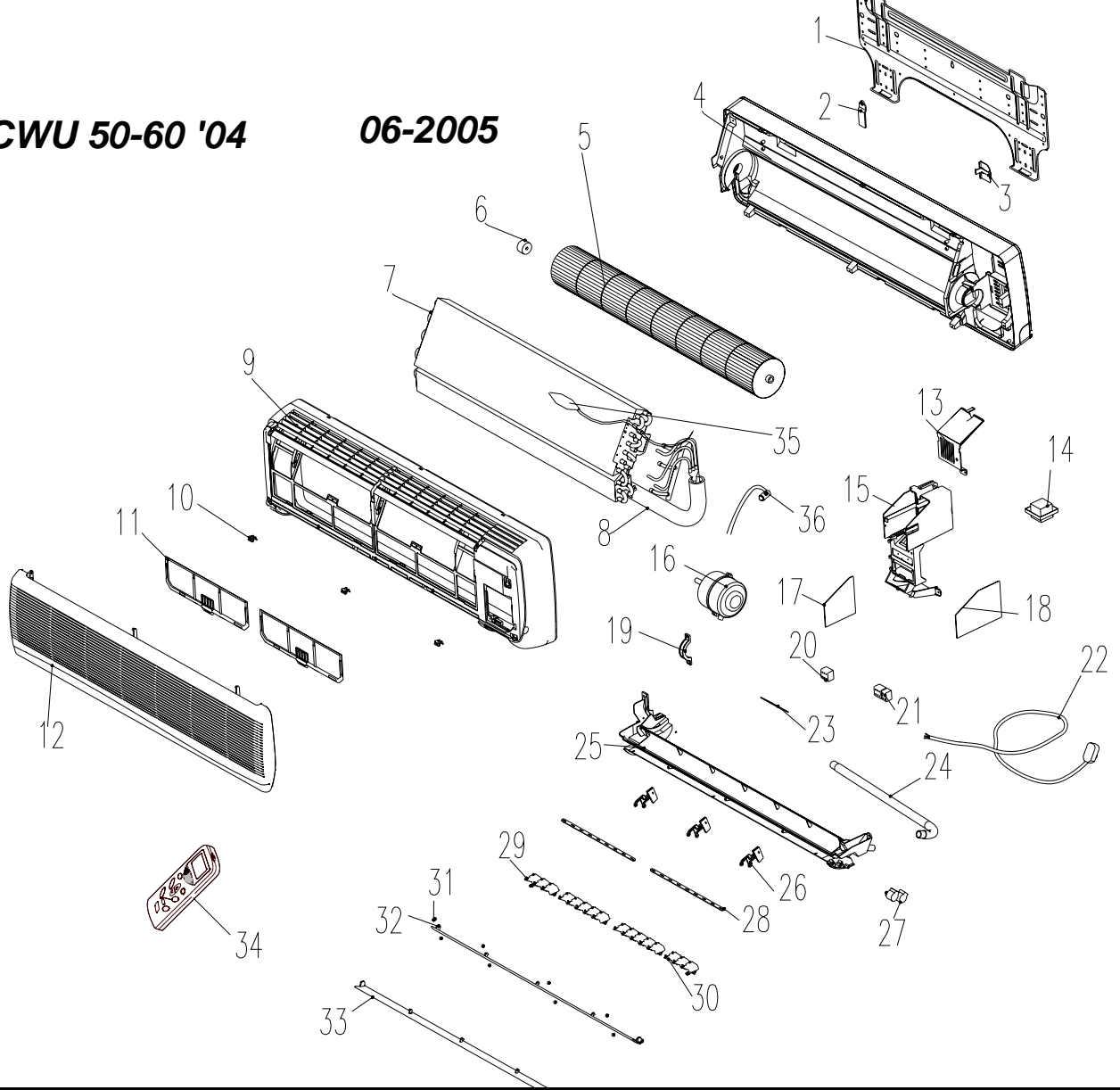


No.	Descrizione	Description	Q'tà	FCW 30 '04 0173290716	FCW 40 '04 0173290916	FCWU 30 '04 0173290706	FCWU 40 '04 0173290906
1	Dima	Installation Plate	1			KE01203196	
2	Fondo unità interna	Chassis	1			KE08100210	
3	Ventilatore	Indoor Fan	1			KE01402151	
4	Cuscinetto	Indoor Fan Bearing	1			KE00120236	
5	Batteria	Water Coil	1			KE81301242	
6	Mascherina	Cabinet	1			KE02107127	
7	Filtro	Air Filter	2			KE00130637	
8	Griglia anteriore	Front Cover	1			KE1006252	
9	Pannello Display	Display Panel	1			KE814082	
10	Alloggio ricevitore	Signal Receiving Slot	1	KE00140815			-
12	Aletta orizzontale	Horizontal Louver	1			KE01201151	
13	Aletta orizzontale	Horizontal Louver	1			KE01201152	
14	Aletta verticale	Vertical Deflector	12			KE01201133	
16	Connessione flap	Louver Link	3			KE01201155	
17	Motore alette	Louver Motor	1			KE01402170	
18	Vaschetta condensa	Draining Pan	1			KE00210669	
27	Cuscinetto	Bearing	1			KE00120236	
28	Ventilatore motore	Indoor Fan Motor	1			KE01402153	
30	Scheda elettronica + Microprocessore	Control PCB + Microprocessor	1	KE81409568 + 5273006500	KE81409568 + 5273006600		-
31	Trasformatore	Transformer	1	KE00814052			-
32	Telecomando	Remote Controller	1	KE81401410			-
33	Sonda	Thermistor	1			KE01411366	
34	Scheda Display	Display PCB	1	KE81409569			-
35	Rubinetto spurgo	Evacuation Valve	1			KE81309168	
-	Condensatore	Fan Capacitor	1	-		5151001800	511471
-	Regolatore velocità	Fan Speed Controller	1	-		5149002300	

**FCW-FCWU 50-60 '04**

**06-2005**



No.	Descrizione	Description	Q'ty	FCW 50 '04 0173291216	FCW 60 '04 0173291816	FCWU 50 '04 0173291206	FCWU 60 '04 0173291806
1	Dima	Installation Plate	1			KE01101303	
4	Fondo unità interna	Chassis	1			KE01002160	
5	Ventilatore	Indoor Fan	1			KE01402367	
6	Cuscinetto	Bearing	1			KE00120266	
7	Batteria	Water Coil	1			KE81301244	
9	Mascherina	Cabinet	1			KE2107478	
10	Copriviti	Screw Cover	3			KE2109312	
11	Filtro aria	Air filter	1			KE01306178	
12	Griglia anteriore	Front Cover	1			KE8100619	
14	Trasformatore	Transformer	1	KE00814054			-
16	Ventilatore motore	Indoor Fan Motor	1	KE01402368	KE01402369	KE01402368	KE01402369
17	Scheda elettronica + Microprocessore	Control PCB + Microprocessor	1	KE81409571 + 5273006700			-
23	Scheda display	Display PCB	1	KE81409570			-
24	Scarico condensa	Drain Hose	1			KE821094	
25	Vaschetta	Drain Pan	1			KE02106101	
27	Motore alette	Louver Motor	2			KE01402136	
28	Connessione flap	Louver Link	2			KE01201375	
29	Aletta verticale	Vertical Deflector	2			KE01201372	
30	Aletta verticale	Vertical Deflector	14			KE01201373	
31	Supporto cuscinetto	Bearing Support	8			KE01201374	
32	Aletta orizzontale	Horizontal Louver	1			KE01201370	
33	Aletta orizzontale	Horizontal Louver	1			KE01201371	
34	Telecomando	Remote Controller	1	KE81401410			-
35	Sonda	Thermistor	1			KE01411366	
36	Rubinetto spurgo	Evacuation Valve	1			KE81309168	
-	Condensatore	Fan Capacitor	1	-			511471