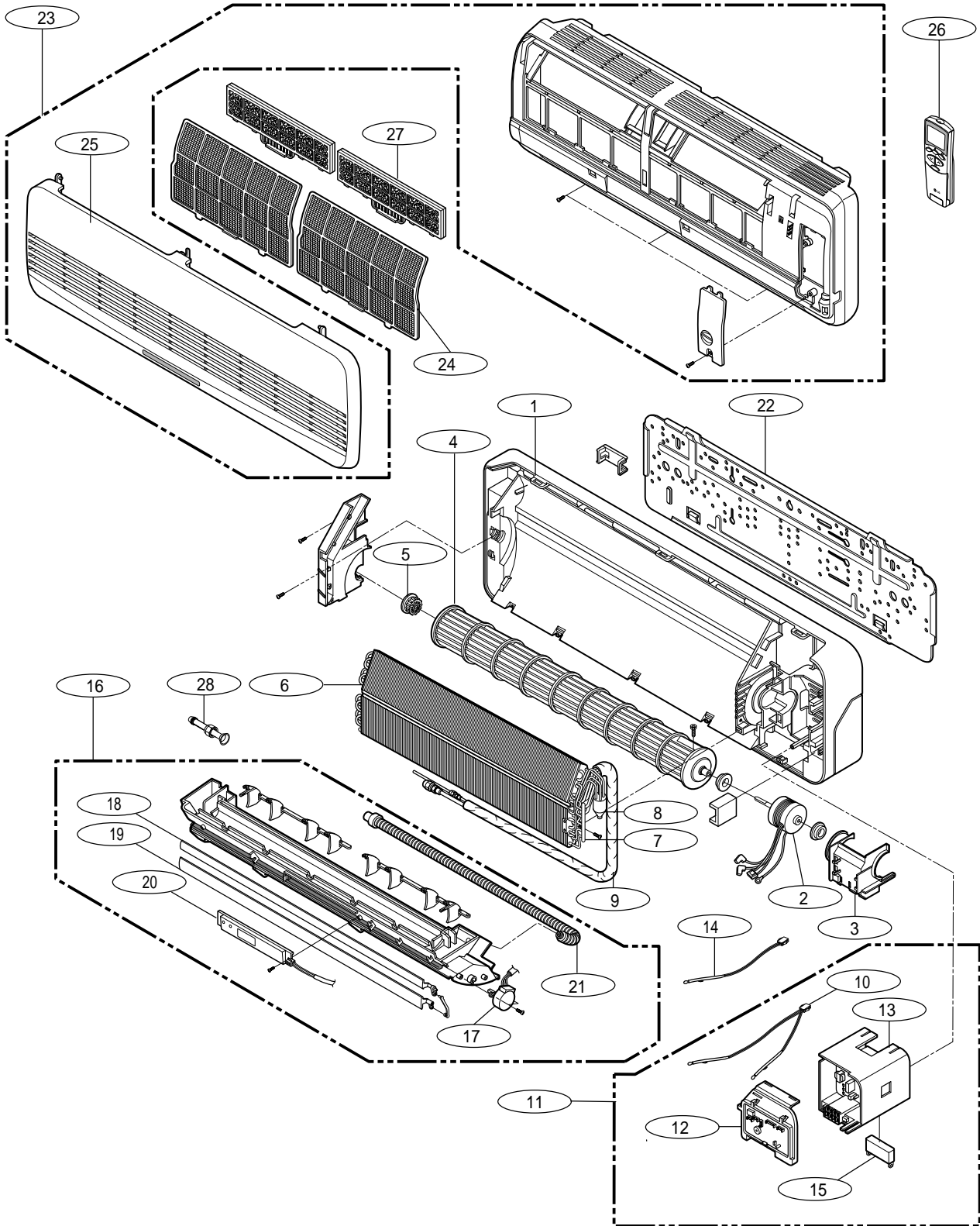


HPWI C DC 50 E '05 Indoor Unit

06-2005



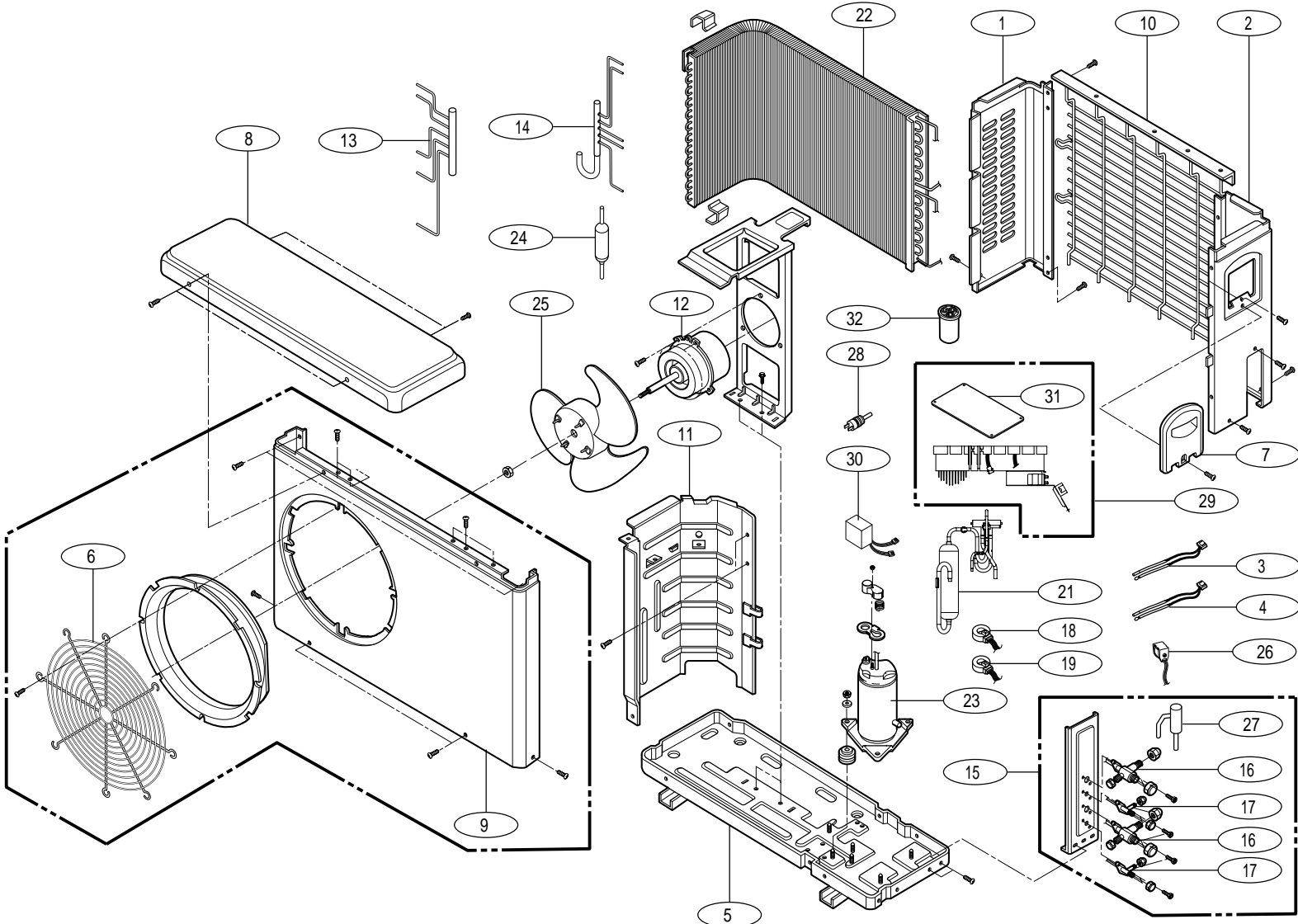
R410

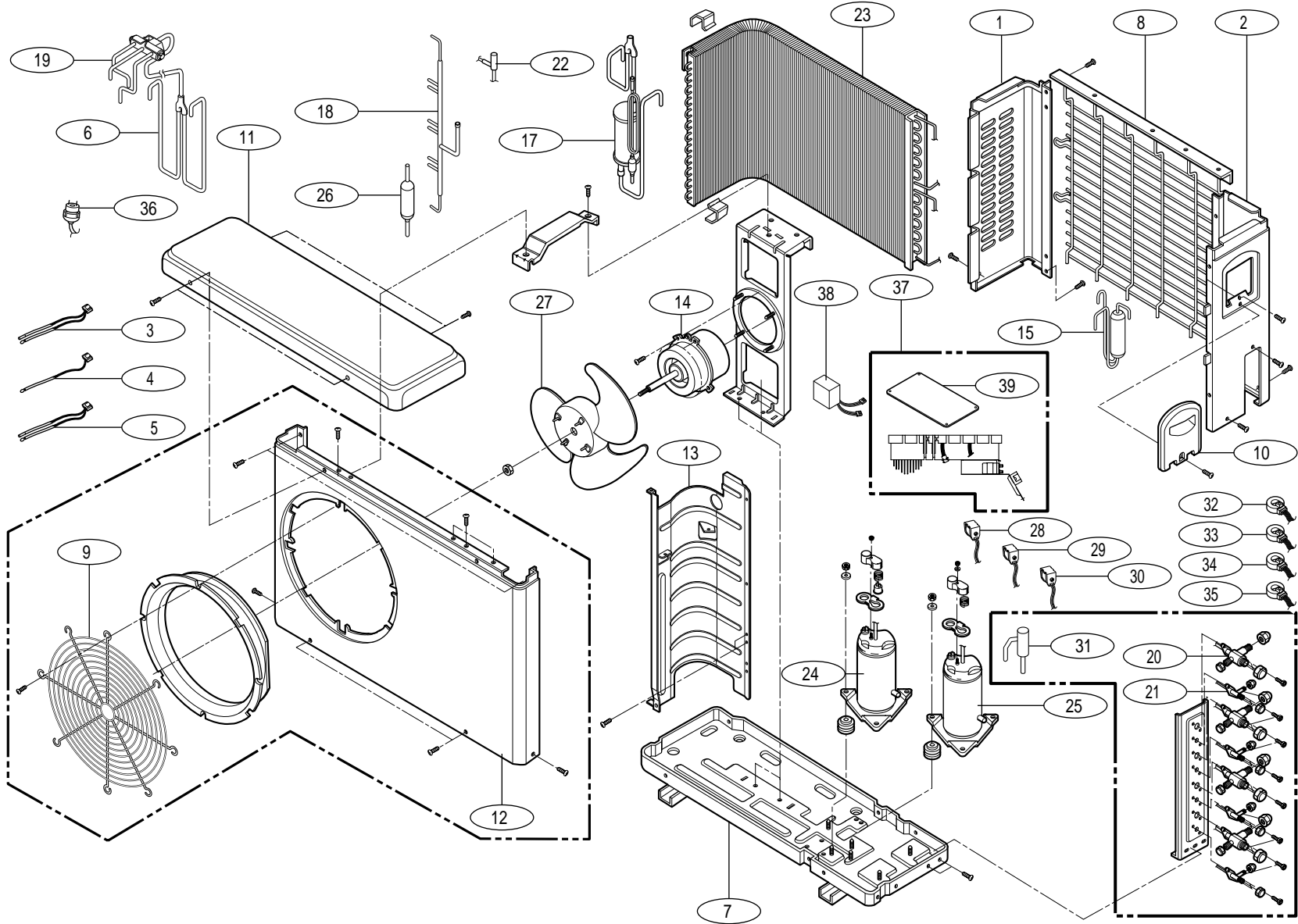
HPWI C DC 20-25-35 E '05 Indoor Unit

No	Description	Descrizione	HPWI		
			DC 20E '05	DC 25E '05	DC 35E '05
1	Chassis	Fondo unità interna	LG1022	LG1021	LG1021
2	Fan Motor	Motore ventilatore	LG1055	LG1053	LG1053
3	Motor Cover	Copertura motore	LG1038	LG1040	LG1040
4	Fan	Ventilatore	LG1104	LG1103	LG1103
5	Bearing	Cuscinetto ventilatore	LG1047	LG1047	LG1047
6	Evaporator	Batteria alettata	LG1615	LG1405	LG1405
10	Thermistor	Sonda ripresa	LG1633	LG1633	LG1633
12	Main PCB (DC)	Scheda elettronica DC	LG1655	LG1656	LG1657
13	Main PCB (AC)	Scheda elettronica AC	LG1648	LG1648	LG1648
14	Thermistor	Sonda batteria	LG1126	LG1126	LG1126
15	Fan Capacitor	Condensatore ventilatore	LG3H01487A	LG3H01487A	LG3H01487A
16	Discharge Grill	Assieme vaschetta	LG1031	LG1030	LG1030
17	Step Motor	Motore flap	LG1054	LG1054	LG1054
18	Horizontal Vane	Flap	LG1106	LG1107	LG1107
19	Display PCB	Scheda display	LG1142	LG1142	LG1142
20	Drain Hose	Scarico condensa	LG1090	LG1090	LG1090
21	Install Plate	Dima	LG1024	LG1H00843A	LG1H00843A
22	Front Grill	Assieme frontale	LG1027	LG1028	LG1028
23	Air Filter	Filtro aria	LG1087	LG1603	LG1603
24	Innlet Sub Grill	Griglia anteriore	LG1033	LG1034	LG1034
25	Remote Controller	Telecomando	LG1638	LG1638	LG1638
26	Deodorize Filter	Supporto filtro	LG1605	LG1605	LG1605

HPWI C DC 50 E '05 Indoor Unit

No	Description	Descrizione	HPWI DC 50 E '05
1	Chassis	Fondo unità interna	LG1020
2	Fan Motor	Motore ventilatore	LG1049
3	Motor Cover	Copertura motore	LG1041
4	Fan	Ventilatore	LG1105
5	Bearing	Cuscinetto ventilatore	LG1047
6	Evaporator	Batteria alettata	LG1617
10	Thermistor	Sonda ripresa	LG1633
12	Main PCB (DC)	Scheda elettronica DC	LG1678
13	Main PCB (AC)	Scheda elettronica AC	LG1648
14	Thermistor	Sonda ripresa	LG1126
15	Fan Capacitor	Condensatore ventilatore	LG3H01487G
16	Discharge Grill	Assieme vaschetta	LG1032
17	Step Motor	Motore flap	LG1054
18	Horizontal Vane	Flap	LG1108
19	Horizontal Vane	Flap	LG1109
20	Display PCB	Scheda display	LG1143
21	Drain Hose	Scarico condensa	LG1090
22	Install Plate	Dima	LG1023
23	Front Grill	Assieme frontale	LG1029
24	Air Filter	Filtro aria	LG1088
25	Innlet Sub Grill	Griglia anteriore	LG1035
26	Remote Controller	Telecomando	LG1638
27	Deodorize Filter	Supporto filtro	LG1679





HPI C DC 2041-2053-3060 E '05 Indoor Unit

No	Description	Descrizione	HPWI		
			DC 2041 E '05	DC 2053 E '05	DC 3060 E '05
1	Side Panel	Pannello sinistro	LG1A00201D	LG1A00201D	LG1A00201D
2	Side Panel	Pannello destro	LG3A02284M	LG3A02284M	LG3A02284M
3	Thermistor (Room, Out)	Sonda esterno/ambiente	LG1631	LG1631	LG1631
4	Thermistor (Discharge, Suction)	Sonda aspirazione/mandata	LG1632	LG1632	LG1632
5	Base	Basamento	LG1525	LG1525	LG1525
6	Discharge Grill	Griglia frontale	LG1026	LG1026	LG1026
7	Control Cover	Maniglia	LG3A01919B	LG3A01919B	LG3A01919B
8	Top Cover	Copertura superiore	LG3H03266L	LG3H03266L	LG3H03266L
9	Front Panel	Pannello frontale	LG1544	LG1544	LG1544
10	Rear Grill	Griglia posteriore	LG1A00207B	LG1A00207B	LG1A00207B
11	Barrier	Pannello separatore	LG3H03307M	LG3H03307L	LG3H03307L
12	Fan Motor	Motore ventilatore	LG1545	LG1545	LG1545
16	Service Valve	Rubinetto gas	LG1598	LG1598	LG1598
17	Service Valve	Rubinetto liquido	LG2H02479J	LG2H02479J	LG2H02479J
21	Reversing Valve	Valvola 4-vie	LG1579	LG1577	LG1578
22	Condenser	Batteria alettata	LG1092	LG1092	LG1092
23	Compressor	Compressore	LG1515	LG1611	LG1611
24	Drier	Filtro disidratatore	LG1619	LG1619	LG1619
25	Fan	Ventilatore	LG1622	LG1622	LG1622
27	Expansion Valve	Valvola espansione	LG1625	LG1625	LG1625
28	Pressure Switch LP	Valvola pressostatica BP	LG1000	LG3A02524F	LG3A02524F
30	Reactor	Reattanza	LG1621	LG1621	LG1621
31	Main PCB	Scheda elettronica	LG1645	LG1640	LG1642
32	Fan Capacitor	Condensatore compressore	LG2A00986D	LG2A00986D	LG2A00986D

HPI C DC 3071 E '05 Indoor Unit

No	Description	Descrizione	HPWI DC 3071E '05
1	Side Panel	Pannello sinistro	LG1A00202F
2	Side Panel	Pannello destro	LG3A02284R
3	Thermistor (Inv Discharge, Suction)	Sonda aspirazione/mandata	LG1632
4	Thermistor (Const Discharge)	Sonda mandata	LG1629
5	Thermistor (Room, Cond Out)	Sonda esterno/ambiente	LG1631
7	Base	Basamento	LG1286
8	Rear Grill	Griglia posteriore	LG1A00208H
9	Discharge Grill	Griglia frontale	LG1530
10	Control Cover	Maniglia	LG3A01919B
11	Top Cover	Copertura	LG1538
12	Front Panel	Pannello frontale	LG1A00197C
13	Barrier	Pannello separatore	LG1550
14	Fan Motor	Motore ventilatore	LG1547
15	Accumulator	Filtro disidratatore	LG1551
19	Reversing Valve	Valvola 4-vie	LG1582
20	Service Valve	Rubinetto gas	LG1598
21	Service Valve	Rubinetto liquido	LG2H02479J
23	Condenser	Batteria alettata	LG1610
24	Compressor (Inverter)	Compressore	LG1611
25	Compressor (Constant)	Compressore	LG1612
26	Drier	Ricevitore liquido	LG1619
27	Fan	Ventilatore	LG1622
31	Expansion Valve	Valvola espansione	LG1625
36	Pressure Switch	Valvola pressostatica	LG3A02524F
38	Reactor	Reattanza	LG1621
39	Main PCB	Scheda elettronica	LG1641
-	Fan Capacitor	Condensatore ventilatore	LG2A00986D
-	Compressor Capacitor	Condensatore compressore	LG2H00841F