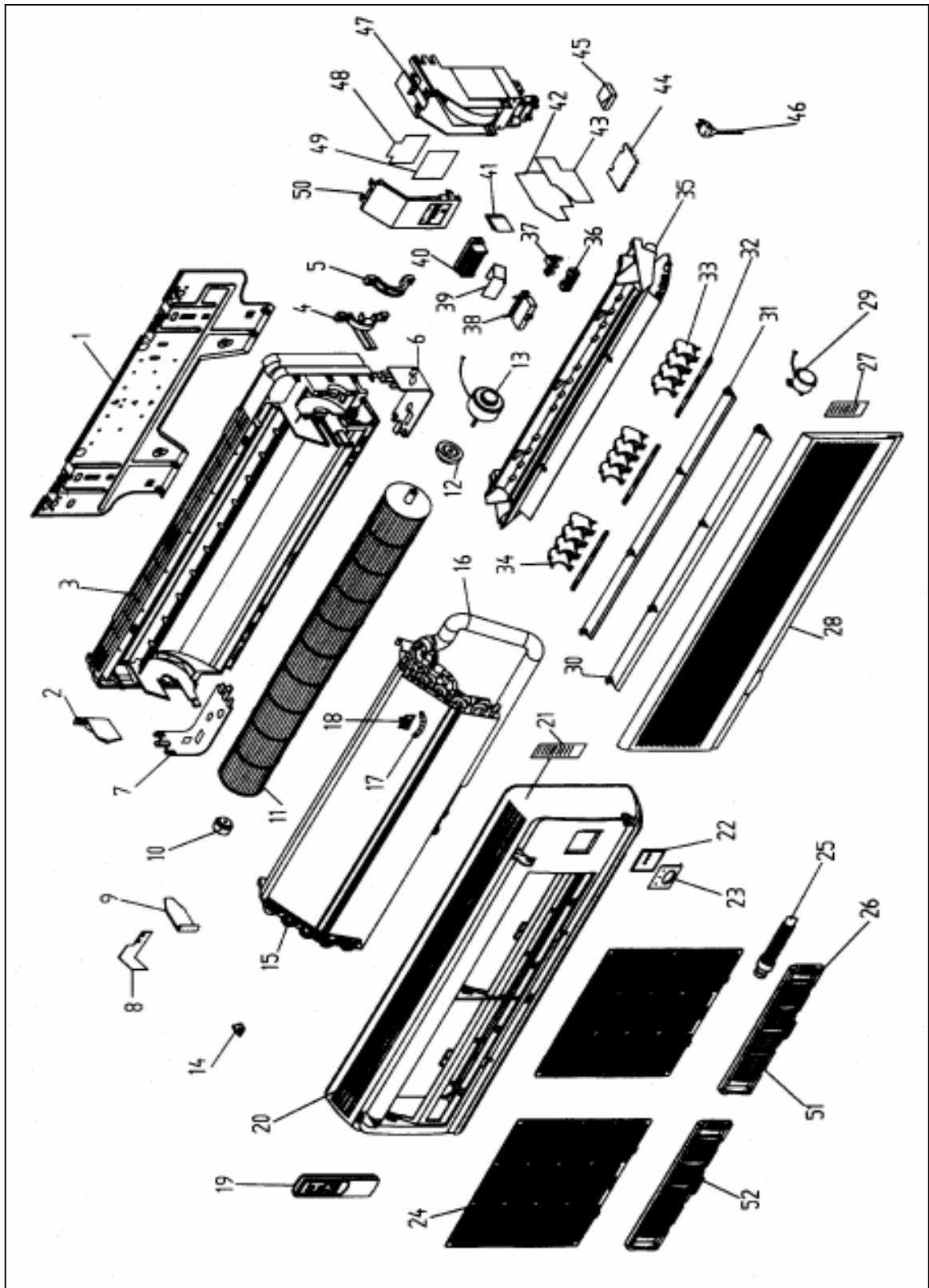
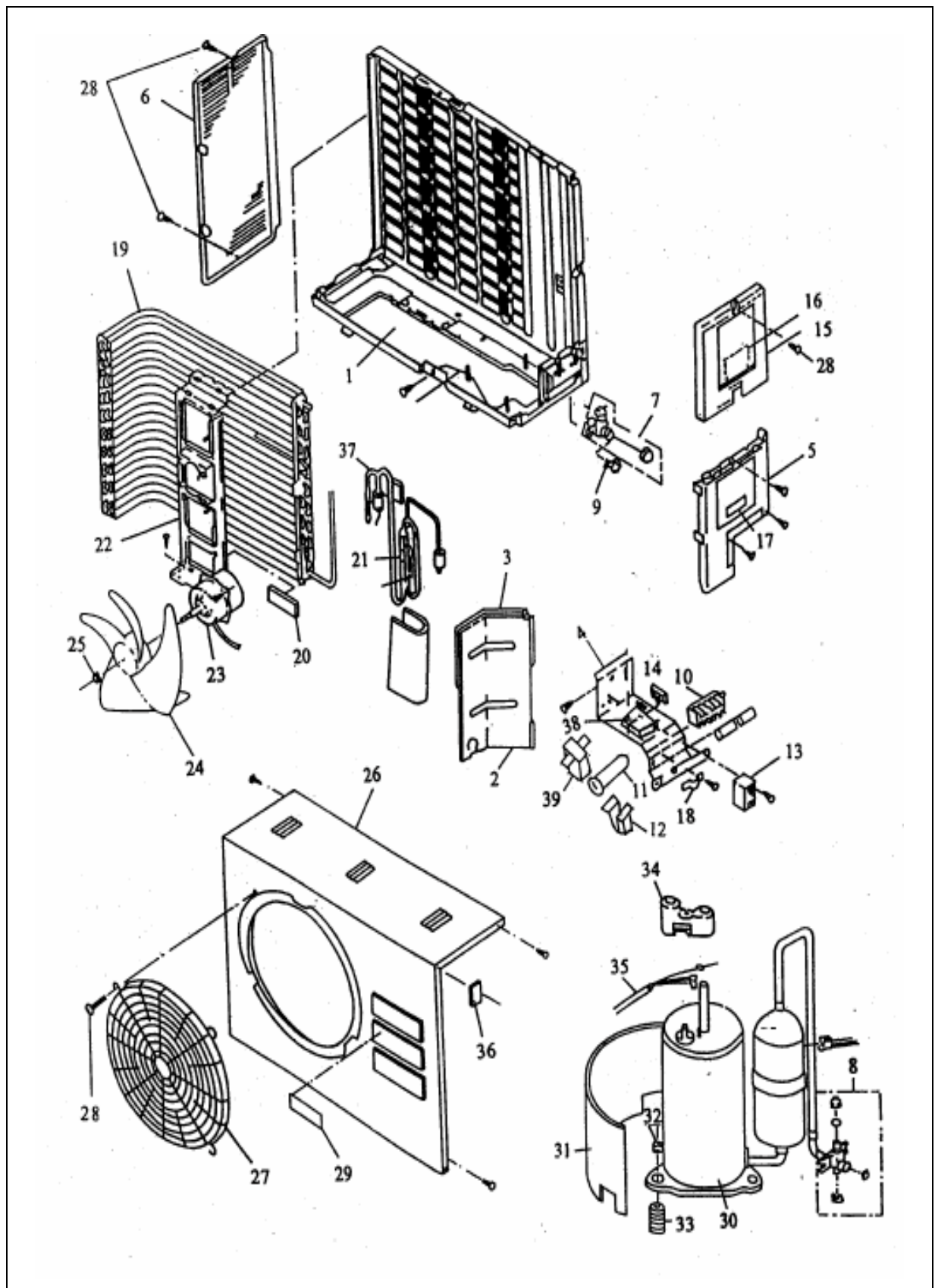


VISTA ESPLOSO / EXPLOSION DRAWINGS
Inu MKP 25 D



VISTA ESPLOSO / EXPLOSION DRAWINGS

Exu MKP 50 D



Inu MKP25 Dual				Exu MKP 50 Dual			
No.	Descrizione	Codice	Q.tà	No.	Descrizione	Codice	Q.tà
1	Installation Plate	KE01203196	1	1	Chassis Assembly	KE01106194	1
2	Ring C	KE01203180	1	2	Bulkhead	KE01203112	1
3	Base Assembly	KE00100270	1	3	Bulkhead Seal	KE00160382	1
4	Ring A	KE01203178	1	4	Control Box	KE01102121	1
5	Ring B	KE01203179	1	5	Right Side Plate	KE01003264	1
6	Right Panel	KE01204113	1	6	Left Side Plate	KE01003119	1
7	Left Panel	KE01204114	1	7	2 Way Valve Assembly	KE08130942	1
9	Pipe Fixing Board	KE01209132	1	7a	2 Way Valve Assembly	KE08130943	1
10	Left Bear	KE00100251	6	8	Reversing Valve Assembly	KE00141154	1
11	Indoor Fan	KE01402134	1	9	3 Way Valve	KE08130941	2
12	Right Bear	KE00120236	1	10	Terminal Board (3PU)	KE00150264	1
13	Indoor Fan Motor	KE01402153	1	11	Compressor Capacitor	KE14113044	1
14	Screw Cover	KE00210994	2	12	Compressor Capacitor Clamp	KE01203113	1
15	Evaporator Assembly	KE00130174	1	13	Fan motor Capacitor	KE01411166	2
16	Pipe Assembly	KE81303499	1	14	3-way Valve Assembly	KE08130940	1
17	Thermistor Assembly	KE01411366	1	18	Cord Clamp	KE01109147	1
18	Thermistor Support	KE01102115	1	19	Condenser	KE01302117	1
19	Remote Controller	KE01401123	1	21	Solenoid Expansion Valve	KE01411369	2
20	Front Cover	KE02107101	1	22	Motor Stay Bracket	KE00110249	1
23	Display Panel	KE00140834	1	23	Outdoor Fan Motor	KE00140244	1
24	Air Filter	KE00130626	2	24	Outdoor Fan	KE00140231	1
25	Drain Hose	KE00210995	1	25	Fan Set Nut	KE00170327	1
28	Open Panel (M Panel)	KE08100632	1	26	Cabinet	KE00100173	1
29	Louver Motor	KE01402136	1	27	Fan Guard	KE00210753	1
30	Horizontal Louver A	KE01201132	1	30	Compressor	KE01304116	1
31	Horizontal Louver B	KE01201131	1	35	Compressor Cord	KE01501280	1
32	Louver Link	KE01201127	3	36	Cabinet Seal	KE00160362	1
33	Vertical Louver A	KE01201133	9	38	Outdoor PCB Assembly	KE01409185	1
34	Vertical Louver B	KE01201134	3	39	Transformer	KE00140523	1
35	Drain Pan	KE00210657	1	41	Outdoor Thermistor	KE01411367	1
37	Indicator Cover	KE02107120	1	42	Reversing Valve Coil	KE00150174	1
38	Display PCB Support	KE01102109	1	43	Pressure Switch	KE00141016	1
39	Display PCB Fixing Panel	KE01109133	1	44	Solenoid Expansion Valve Coil	KE01501281	2
40	Terminal Board 6PU	KE00150276	1				
41	Connecting Cable Clamp	KE01203185	1				
43	Control PCB Assembly	KE01409184	1				
44	Display PCB Assembly	KE00140993	1				
45	Transformer	KE00140522	1				
46	Power Supply Cord	KE01501222	1				
47	Electric Box	KE01005107	1				
50	Electric Box Cover	KE02109106	1				