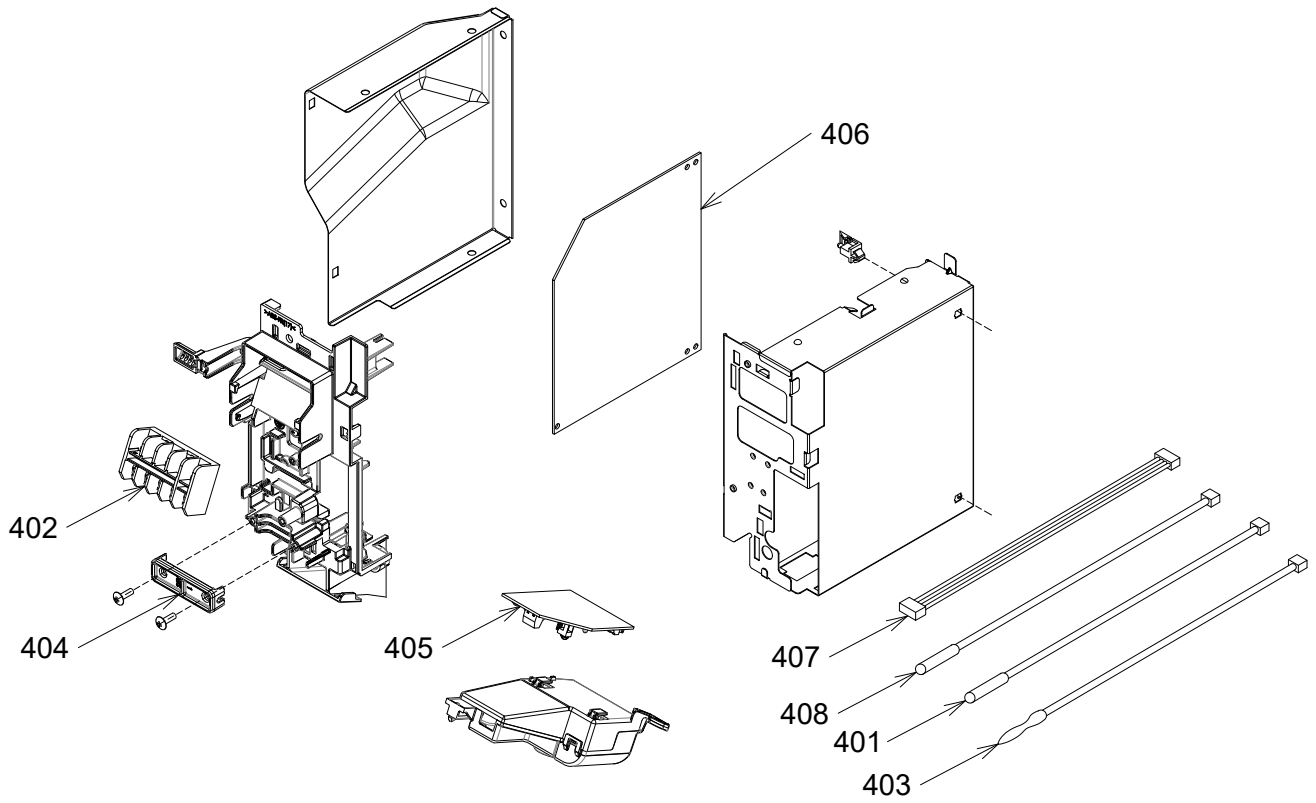
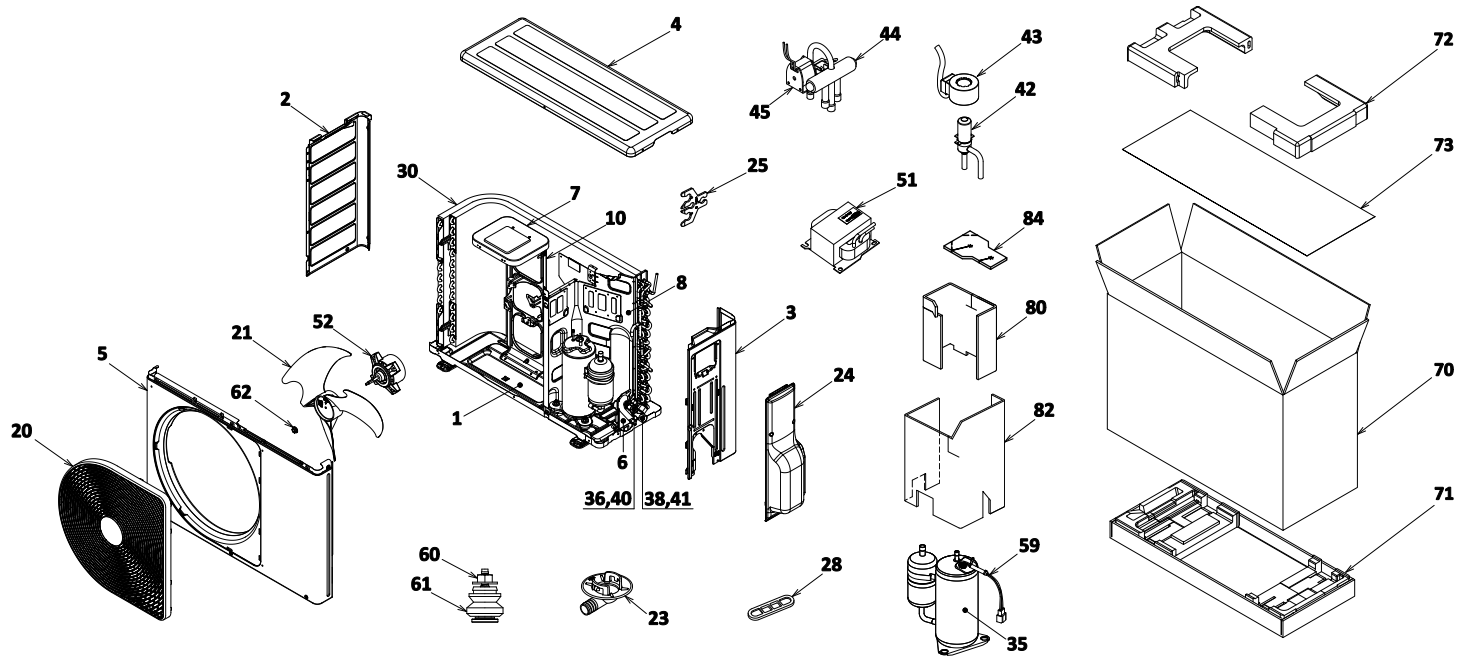


13-2. Indoor Unit (Part-E)



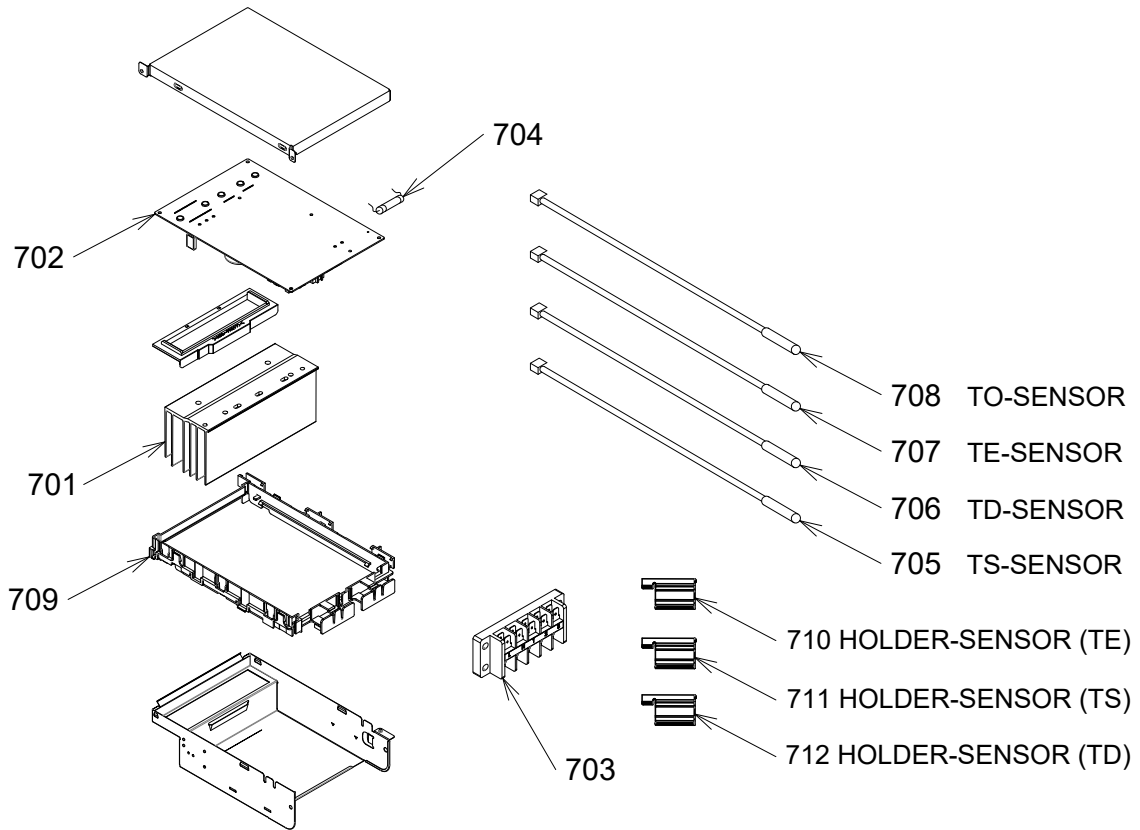
Location No.	Part No.	Description	Location No.	Part No.	Description
401	43T50394	TEMPERATURE SENSOR	405	43T6W440	PC BOARD ASSY:WRS-LED
402	43T6V673	TERMINAL(5P-TF)	406	43TN9511	PC BOARD (WP-048)
403	43T50392	SENSOR,THERMOSTAT	407	43T60502	HOUSING-WiFi
404	43T62340	CORD-CLAMP			

13-3. Outdoor Unit



Location No.	Part No.	Description	Location No.	Part No.	Description
1	43T42382	BASE PLATE ASSEMBLY	40	43T46540	VALVE; PACKED 6.35 DIA
2	43T00459	LEFT CABINET	41	43T46461	VALVE; PACKED 12.7 DIA
3	43T00690	RIGHT CABINET ASSEMBLY	42	43T46469	BODY PMV
4	43T00735	UPPER CABINET ASSEMBLY	43	43T63360	COIL PMV
5	43T00688	FRONT CABINET ASSEMBLY	44	43T46367	4 WAY VALVE
6	43T00448	FIXING PLATE VALVE	45	43T63327	COIL-4WAY
7	43T39333	MOTOR BASE CONNECTION PLATE	51	43T58306	REACTOR
8	43T04497	GUIDE WIND PARTITION ASSEMBLY	52	43T21460	MOTOR FAN
10	43T39393	MOTOR BASE	59	43T60497	LEAD ASSY, COMPRESSOR
20	43T19364	FAN GUARD	60	43T97001	NUT
21	43T20365	PROPELLER FAN	61	43T49327	CUSHION RUBBER
23	43T79325	DRAIN NIPPLE	62	43T47001	NUT FLANGE
24	43T00762	PACKED-VALVE COVER ASSEMBLY	70	43T91343	CARTON BOX
25	43T63376	HOLDER, SENSOR	71	43T91342	FIBERBOARD UNDER ASSEMBLY
30	43T43657	CONDENSER ASSEMBLY	72	43T91314	CUSHION-PKG-UPR
35	43T41527	COMPRESSOR	73	43T91301	PE SHEET
36	43T47403	BONNET, 6.35 DIA	80	43T04397	S-INSU(IN)
37	43T47405	BONNET, 12.7 DIA	82	43T04484	SOUND INSULATION (OS)

13-4. Outdoor Unit (Part-E)



Location No.	Part No.	Description	Location No.	Part No.	Description
701	43T67310	HEATSINK	708	43T50360	TC-SENSOR(TO)
702	43TN9518	PC BOARD (WP-044)	709	43T62313	PC PLATE BASE
703	43T60392	TERMINAL-5P	710	43T63318	HOLDER SENSOR
704	43T60326	FUSE	711	43T63316	HOLDER,SENSOR
705	43T50412	TC-SENSOR	712	43T63317	HOLDER,SENSOR
706	43T50334	TEMPERATURE SENSOR	713	43T62401	TUBE
707	43T50352	TEMPERATURE SENSOR			